



PL PLS

SINGLE-PHASE FULL WAVE BRIDGE
1.0 AMPERES
FOR P.C. BOARD AND SURFACE MOUNTING



PL SERIES
Dual DIP Package

PLS SERIES
Surface Mount Type

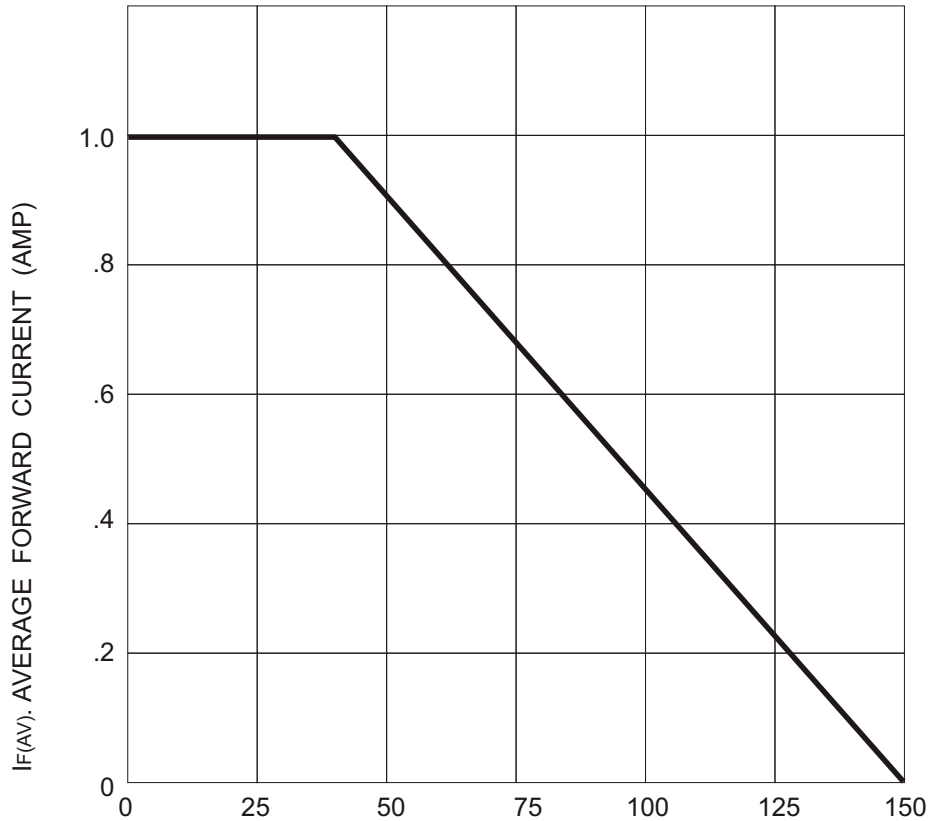
PRV/Leg	50V	200V	400V	600V	800V
Type No.	PL05	PL20	PL40	PL60	PL80
Type No.	PL05S	PL20S	PL40S	PL60S	PL80S

ELECTRICAL CHARACTERISTICS PER LEG (at $T_A=25^\circ\text{C}$ Unless Otherwise Specified)

Max. Forward Voltage Drop, $V_F=1.2\text{ V @ }I_F=$	1.0	Amp
Max. DC Reverse Current @ PRV and 25°C , I_R	5.0	μA
Max. Peak Surge Current, $I_{FSM}(8.3\text{ms})$	50	Amp
Ambient Operating Temperature Range, T_A	-55 to +150	$^\circ\text{C}$
Storage Temperature Range, T_{STG}	-55 to +150	$^\circ\text{C}$

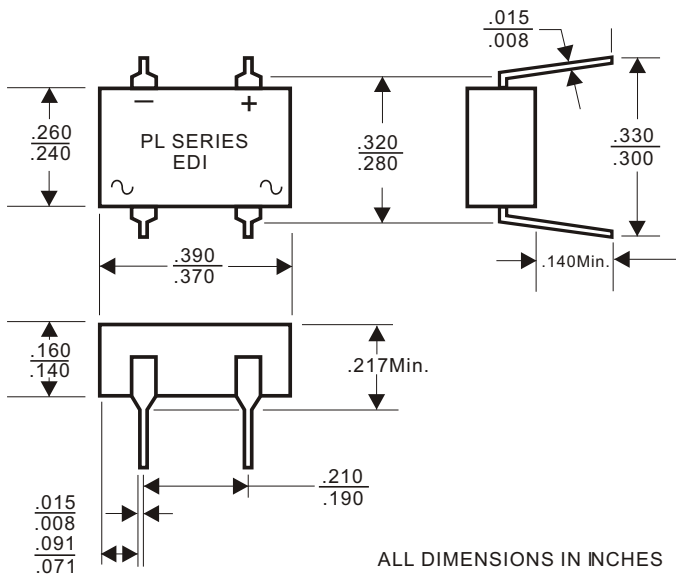
EDI reserves the right to change these specifications at any time without notice.

CURRENT DERATING

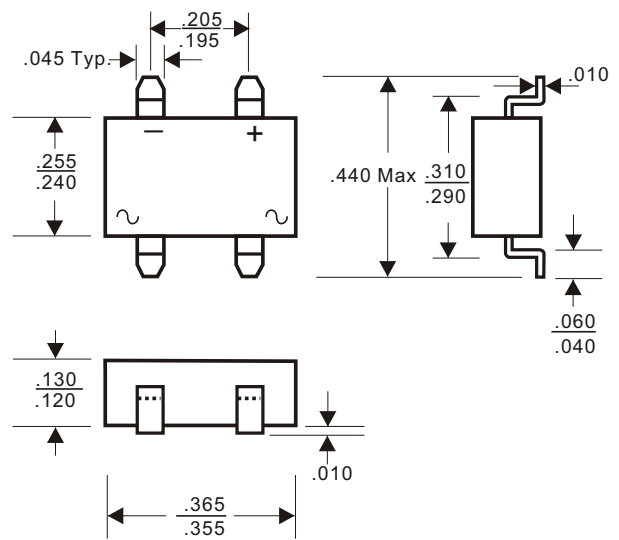


T_A = AMBIENT TEMPERATURE (°C)
 For Capacitive Load Derate Current by 20%

CASE STYLE PL



CASE STYLE PLS



ALL DIMENSIONS IN INCHES

ELECTRONIC DEVICES, INC. DESIGNERS AND MANUFACTURERS OF SOLID STATE DEVICES SINCE 1951.

21 GRAY OAKS AVENUE * YONKERS, NEW YORK 10710 914-965-4400 * FAX 914-965-5531 * 1-800-678-0828

e-mail:sales@ediodes.com* website: http://www.ediodes.com